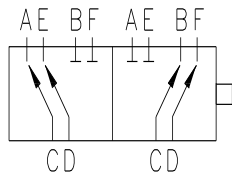
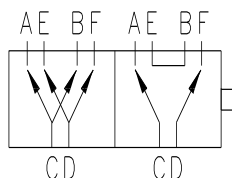


DS- Double Selector Hydraulic Valve 6 Way

Functional Symbol:



Standard



Series Parallel



Description:

The DS is a two position, six way, double selector valve which directs the flow of hydraulic fluid to two separate hydraulic circuits within your hydraulic system. This flow divider valve allows the operation of two double acting cylinders with one four-way control valve or four single-acting cylinders with two-three-way control valves.

Operation:

The Metro DS two position flow diverter valve is of the open-crossover type. When the spool is moved and one pair of outlet ports start to close, the other pair of outlet ports start to open.

Installation Examples:

[Hydraulic Circuit- Selector Valve w Optional Float Spool](#)

[Hydraulic Circuit- Double Selector w Power Beyond Directional](#)

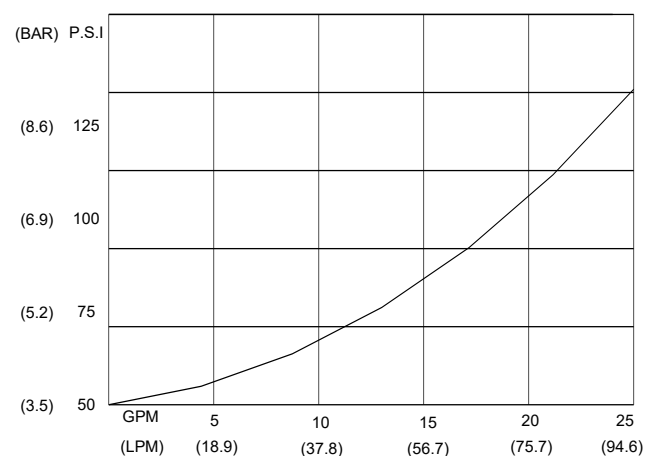
Features:

- Easy to Mount
- Chrome Plated Spool, for long lasting life
- High-Tensile Cast Iron Body
- Knob/ handle options

Specification:

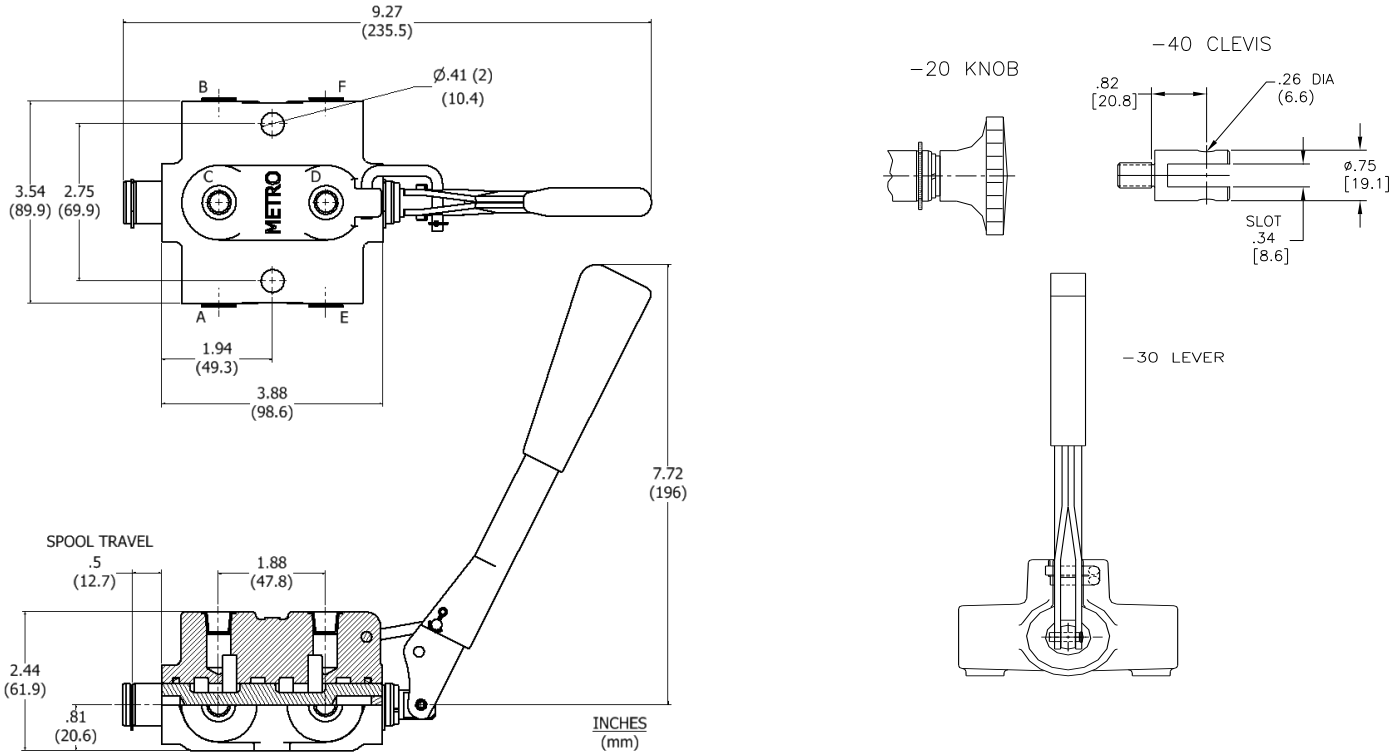
Flow Capacity	Pressure Rating	Temperature Range	Weight
20 GPM 75 (L/MIN)	3000 PSI (207 Bar)	Nitrile (Buna N) -22° to + 194° F -30° to + 90° C Fluorocarbon (Viton) -29° to + 437° F -34° to + 225° C	4 lbs 4 oz (1.92 kg)

Pressure Drop Characteristics:



DS- Double Selector Hydraulic Valve 6 Way

Technical:



Ordering Instructions:

	DS	02	P	25		ZP	
Model Number	Port Size	Spool Type Options		Spool Actuator	Spool Return Options	Seal Options	Finish Options
DS	01 #4 SAE, 7/16"-20 02 1/4" - 18 NPT 03 3/8" - 18 NPT 04 1/2" - 14 NPT 06 #6 SAE, 9/16" - 18 08 #8 SAE, 3/4" - 16	Blank Std Crossover P Parallel CC Closed Cross Over		10 No Actuator 20 Knob 25 Alum Knob 30 Lever 35 5" Lever, Machined 36 10.5" Lever, Machined 40 Clevis	Blank None DR Spring Return AE HD Snap Ring TF Tight Fit Bore to Spool MR Reverse Spool, Spring Return	Blank Nitrile (Buna N) V Fluorocarbon (Viton)	Blank - Plain Casting ZP - Zinc Plated